

# di the designo international™

An ISO 9001-2015 Certified Company

## OUTDOOR COOLING & HEATING SYSTEM

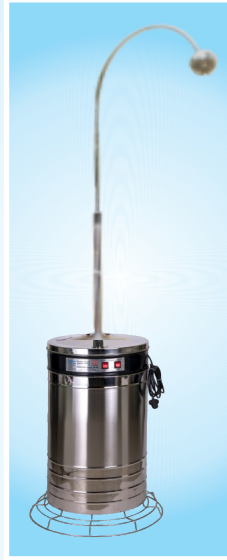
**1** YEAR WARRANTY

**COOL FLOW™**  
OUTDOOR COOLING SYSTEM

New Launch



MIST RINGO



MIST POLE



MIST FAN



MIST TREE

**COOLING CANNON™**

EVAPORATIVE & MIST COOLING

**1** YEAR WARRANTY



di the designo international™

Admin Office :

Regd. Office : Plot No. 8, 3rd Floor, Block No.13, Shakti Nagar, Delhi-7

Website : [www.designointernational.com](http://www.designointernational.com)

Works & Showroom :

Noida Office : E-60, Sector-6, Noida - 201301 (U.P.)

e-mail : [info@designointernational.com](mailto:info@designointernational.com)

Phone : 9810278383, 9818462891, 9971164433

**Sales** Go up and down **Service** stays forever

## Specifications



### Body Parts

- Stainless Steel Tank and Cover.
- Stainless Steel Rod and Base.
- Water Pressure Pump.
- Misting Nozzle 8nos made in USA.
- Stainless Steel ring with pushfit.
- Ready to plugin 16amp plug with 1.5mtr wire.
- Tank capacity 85ltrs.
- Easy to assemble Flange system.
- Perfumes/Fragrance.
- Nozzle cleaning chemical.
- Blocking nozzles 2 nos
- Unique Design to spread the MIST
- Sturdy Design

### Technical

- Cooling effect upto 20 to 25ft.
- Moisture feel upto 5 to 6ft.
- Electricity Consumption 1 unit per 3hours.
- Filtered water consumption App. 10-20 ltrs per hour.
- Pushfit (Male-Female) for electric wire connection .
- Product size(As in picture).
- Perfumes/Fragrance
- Nozzle cleaning chemical

### Packaging

- Thick Corrugated Cardboard boxes in 2nos.

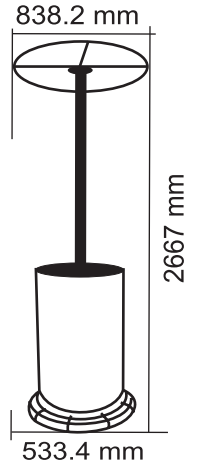
### Key Features



Filters to prevent blockage in jets.



Insulated Electric wiring.



### Body Parts

- Stainless Steel Tank and Cover.
- Stainless Steel Rod and Base.
- Air Circulator fan 24" sweep CROMPTON (or equivalent).
- Stainless Steel fan jali.
- Fan speed 1400/1430 RPM.
- Water Pressure Pump.
- Misting Nozzle 4nos made in USA.
- Stainless Steel ring with pushfit.
- Ready to plugin 16amp plug with 1.5mtr wire.
- Tank capacity 85ltrs.
- Easy to assemble Flange system.
- Perfumes/Fragrance.
- Nozzle cleaning chemical.

### Technical

- Oscillating upto 90°.
- Cooling effect upto 20 to 25ft.
- Moisture feel upto 5 to 6ft.
- Electricity Consumption 1 unit per 3hours.
- Filtered water consumption App. 10-20 ltrs per hour.
- Pushfit (Male-Female) for electric wire connection .
- Product size(As in picture).
- Perfumes/Fragrance
- Nozzle cleaning chemical

### Packaging

- Thick Corrugated Cardboard boxes in 2nos.

### Key Features



Oscillating Fans



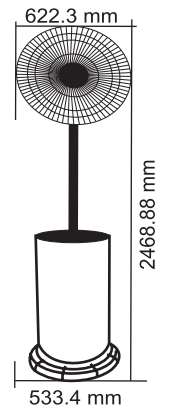
Gear system for extra fan positioning.



Filters to prevent blockage in jets.



Insulated Electric wiring.



## Specifications

- Galvanized Sheet Body.
- Exclusive and Elegant Design.
- Powder Coated with clear Coat : G.I. Water Tank.
- 2 Inches thick BEE HIVE Padding. (GREEN COLOR)
- Heavy Castors for easy movement.
- Appx. 300 Liters Capacity Water Tank.
- Powder quoted STAINLESS STEEL Back and Front Grills.
- High Speed 30 inch Fan.
- Air Throw up to appx. 30-35 feet.
- Area Coverage up to 1500sqft.
- Heavy Duty Submersible Pumps. (Dual Pump System)
- Fragrance.
- Nozzle cleaning chemical.

### With MIST SYSTEM

- **SS Tank with capacity of 85 ltrs. for misting.**
- **Mist ring and nozzle. (4 in nos made in USA)**
- **Pump & Adopter.**

### Key Features



World's Biggest Evaporative Designer Cooler.



300 Ltrs Water Tank Capacity



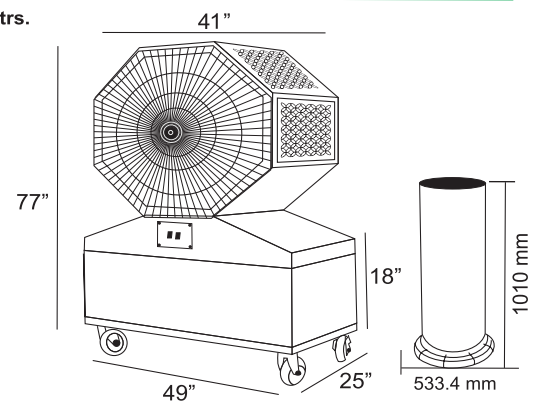
Special G.P Sheet



After Sales & Spares Backup.



Made In India.



Admin. Office :  
Delhi : Plot No. 8, 3rd Floor, Block No. 13,  
Shakti Nagar, Delhi - 110 007.  
Website : [www.designointernational.com](http://www.designointernational.com)

Works & Showroom :  
Noida : E-60, Sector-6, Noida - 201301 (U.P.)  
Phone : 9810278383, 9818462891, 9971164433  
e-mail : [info@designointernational.com](mailto:info@designointernational.com)



the designo international™

MANUFACTURER & SUPPLIERS  
An ISO 9001 : 2015 Certified Co.